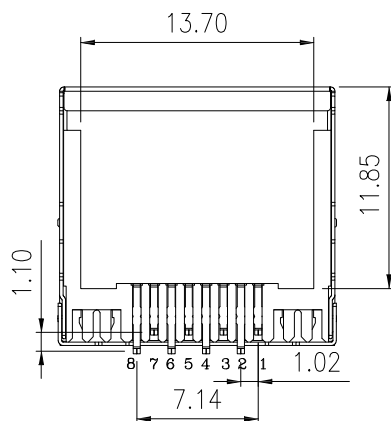


PCB LAYOUT MOUNTING PATTERN



RJ45-58D811E-x-S307

鍍層厚度：

Blank : 1u"
1 : 3u"
2 : 15u"
3 : 30u"
5 : 6u"

SPECIFICATIONS

Electrical:

- 1.Voltage Rating : 125 VAC RMS
- 2.Current Rating : 1.5 A
- 3.Contact Resistance : 30 mΩ MAX
- 4.Insulation Resistance : 1000 MΩ MIN
- 5.Dielectric Strength : 1,000 VAC

Mechanical:

- 1.Housing : LCP
- 2.Contact : Phosphor Bronze , Gold Plating over Nickel
- 3.Shield : Brass , Nickel Plated

Environmental:

- 1.Operation Temperature : -40°C ~ +85°C

ITEM NO.	DESCRIPTION	DRAWN	DATE
3	更新圖面	Jack	031821
2	更新尺寸	Jack	010620
1	新增鍍層選項	Jack	112019

CONTACT 建倚科技股份有限公司
CONTACT TECHNOLOGY CORP.

TOLERANCE UNLESS OTHERWISE STATED :

Up to 5 ±0.2
Above 5 ~ 15 ±0.3
Above 15 ~ 30 ±0.4
Above 30 ~ 50 ±0.5
Angle ±0.3°

3RD. ANGEL'S



UNITS

MM

DRAWN BY:	DATE	MAT'L	TITLE
Jack Lu	03/18/21		RJ45
CHECKED BY:	DATE	FINISH	MODLE
Jacky Chen	03/18/21		RJ45 8P8C 沉板式4.2 mm DIP
APPROVED BY:	DATE	SCALE	DWG NO.
Tony Kao	03/18/21	1 : 1	RJ45-58D811E-x-S307
		SHEET NO.	PART NO.
		1 of 1	RJ45-58D811E-x-S307
			SIZE
			A4
			VER
			R3